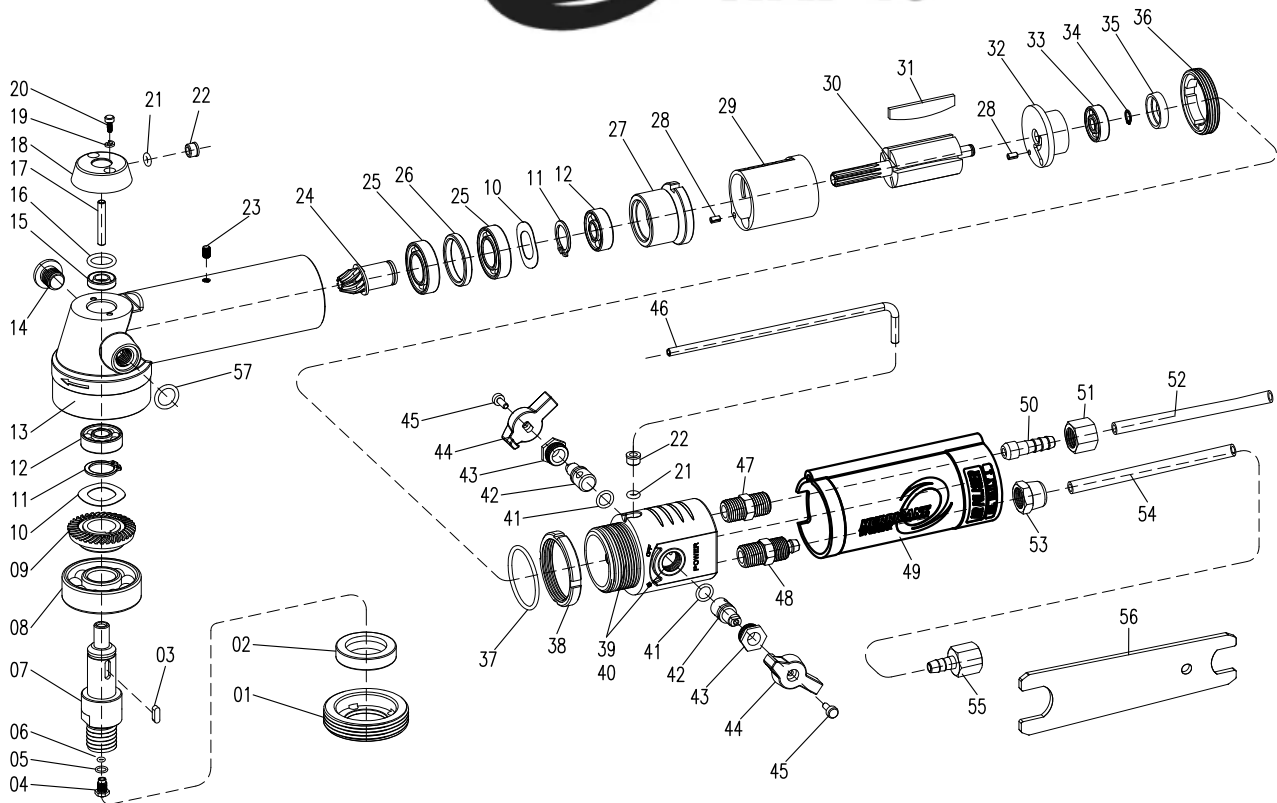


HURRICANE

HAP45



Ref. No.	Parts No.	Description	Q'ty	Ref. No.	Parts No.	Description	Q'ty
01	2618-1	Tighten Nut	1	30	2611-2	Rotor	1
02	TC22-32-7	Oil Seal(TC22X32X7)	1	31	2611-3	Vane	5
03	2612-1	Key	1	32	2616-3	Rear Bearing Case	1
04	2616-20	Nozzle	1	33	626zz	Bearing (626zz)	1
05	2615-24	O-Ring (φ1.5X7)	1	34	2615-10	Retaining Ring (φ6)	1
06	2615-28	O-Ring (φ2X3)	1	35	2617-3	Bearing Cap	1
07	2612-10-2	Gear Shaft (5/8"-11)	1	36	2618-11	Cylinder Locating Nut	1
08	6302zz	Bearing (6302zz)	1	37	2615-26	O-Ring (φ2X31X35)	1
09	2611-36	Bevel Gear	1	38	2618-12	Switch Locating Nut	1
10	2615-1	Wave Washer (φ15)	2	39	2617-8	Switch Port	1
11	2615-2	Snap Ring (φ15)	2	40	2616-13	Valve Bush	1
12	608zz	Bearing (608zz)	2	41	2615-24	O-Ring (φ1.5X7)	2
13	2618-8	Motor Housing	1	42	2616-14	Air Valve	2
14	2615-57	Screw(M10X8)	1	43	2616-15	Nut	2
15	TC8-15-5	Oil seal (TC8X15X5)	1	44	2618-13	Valve Lever	2
16	2615-5	O-Ring (φ2X11.5)	1	45	2615-14	Screw (M3X8)	2
17	2612-3	Inner Pipe	1	46	2612-8	Water Pipe	1
18	2617-7	Pipe-Joint Assembly	1	47	2616-7	Water Hose Joint	1
19	2615-20	Washer (M3)	2	48	2616-22	Air-Hose Joint	1
20	2615-21	Screw (M3X12)	2	49	2617-9-1	Body Cover	1
21	2615-7	O-Ring (φ1.9X3.4)	2	50	2616-8	Water Hose Nipple	1
22	2617-15	Pipe Bush	2	51	2616-9	Nut	1
23	2615-22	Locating screw (M4X5)	1	52	2611-5-03	Water Hose	1
24	2611-11	Spiral Bevel Pinion	1	53	2616-21	Nut	1
25	61902zz	Bearing (61902zz)	2	54	2611-7-03	Air pipe	1
26	2618-9	Washer	1	55	2616-16	Air Inlet Connector Nut	1
27	2616-32	Front Plate	1	56	2611-8	Wrench	1
28	2615-9	String Pin (φ2.5X5)	2	57	2615-23	O-Ring (φ2X10)	1
29	2612-4	Cylinder	1				