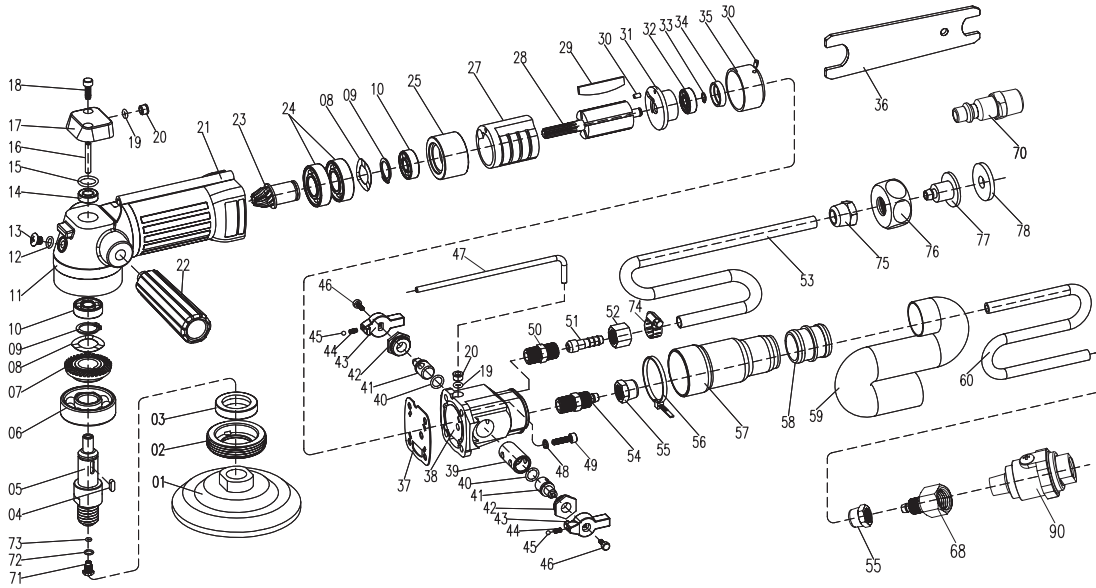


CYCLONE MVP PNEUMATIC AIR POLISHER

Item #	Max RPM
MVP45	4,500 - 5,500



Item #	Description	Qty	Item #	Description	Qty	Item #	Description	Qty	Item #	Description	Qty
MVPACC01	Backing plate	1	MVPACC19	O-ring	2	MVPACC38	End case	1	MVPACC56	Clamp	1
MVPACC02	Tighten nut	1	MVPACC20	Pipe bush	2	MVPACC39	Valve bush	1	MVPACC57	Exhaust cover	1
MVPACC03	Oil seal	1	MVPACC21	Body cover	1	MVPACC40	O-Ring	2	MVPACC58	Connector	1
MVPACC04	Key	1	MVPACC22	Grip	1	MVPACC41	Air valve	2	MVPACC59	Exhaust hose	1
MVPACC05	Gear shaft	1	MVPACC23	Spiral bevel pinion	1	MVPACC42	Nut	2	MVPACC60	Air pipe	2.5
MVPACC06	Bearing	1	MVPACC24	Bearing	2	MVPACC43	Valve lever	2	MVPACC68	Air inlet connector Nut	1
MVPACC07	Bevel gear	1	MVPACC25	Front bearing case	1	MVPACC44	Spring	2	MVPACC70	Quick coupling	1
MVPACC08	Wave washer	2	MVPACC27	Cylinder	1	MVPACC45	Ball bearing	2	MVPACC71	Nozzle	1
MVPACC09	Snap ring	2	MVPACC28	Rotor	1	MVPACC46	Screw [M3x8]	2	MVPACC72	O-Ring	1
MVPACC10	Bearing	2	MVPACC29	Vane	5	MVPACC47	Water pipe	1	MVPACC73	O-Ring	1
MVPACC11	Motor housing	1	MVPACC30	Spring pin	2	MVPACC48	Washer	4	MVPACC74	Pipe hoop	1
MVPACC12	O-ring	2	MVPACC31	Rear bearing case	1	MVPACC49	Screw [M4x16]	4	MVPACC75	Nut	1
MVPACC13	Screw [M6x5]	2	MVPACC32	Bearing	1	MVPACC50	Water hose joint	1	MVPACC76	Nut	1
MVPACC14	Oil seal	1	MVPACC33	Retaining ring	1	MVPACC51	Water hose nipple	1	MVPACC77	Connector	1
MVPACC15	O-Ring	1	MVPACC34	Bearing cap	1	MVPACC52	Nut	1	MVPACC78	Bushing	1
MVPACC16	Inner pipe	1	MVPACC35	Air inlet case	1	MVPACC53	Water hose	1	MVPACC90	Oil Spray	1
MVPACC17	Pipe-joint assembly	1	MVPACC36	Wrench	1	MVPACC54	Air-hose joint	1			
MVPACC18	Screw [M4x12]	2	MVPACC37	Body packing	1	MVPACC55	Nut	2			